

The Veritas® Carver's Vice allows you to position your workpiece in the most convenient orientation for the work you are doing, while still holding it securely enough to allow significant force to be applied. Simply loosening the clamp handle will allow you to reposition your work by either pulling it from, or pushing it toward, the base, or by rotating the mounting plate about the plate shaft. Further loosening of the clamp will allow the angle of the workpiece to be changed in 30° increments from 150° forward to 90° back. The clamping mechanism is designed such that the mounting plate is loosely held in place when the clamp is released. This prevents your work from suddenly moving when you release the clamp.

### Assembly

To assemble the carver's vise, simply loosen the clamp handle and insert the mounting plate shaft in the hole in the clamp shaft assembly. The mounting plate has a rust-inhibiting coating that may initially make the height adjustment stiff. The coating will eventually wear off; however, you may want to remove it by giving the mounting plate shaft a quick pass with fine sandpaper or steel wool.

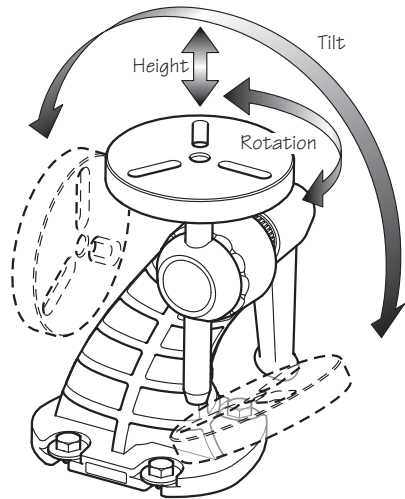
### Mounting Your Carver's Vice

The carver's vise can be mounted in a number of ways, ranging from a permanent installation to a removable mount that allows the vise to be stored when not in use.

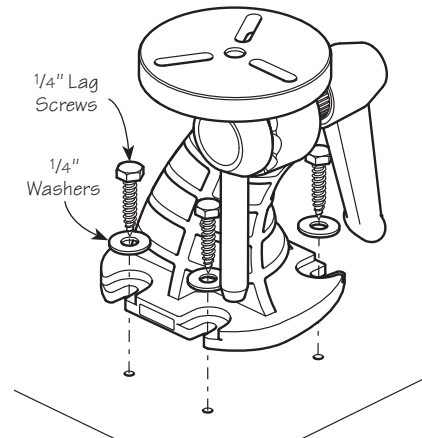
#### Permanent Attachment

The base casting has four recesses that will allow it to be securely bolted or screwed to the top of your workbench. The slots are sized to take any type of fastener up to 1/4" in diameter. Simply place the vise on your workbench in the location you prefer and mark the hole locations.

For a permanent installation on benches that are at least 1" thick, use lag screws with washers as shown in **Figure 2**. For thinner benches, use bolts through the bench top secured with nuts on the bottom.



**Figure 1: Range of movement.**



**Figure 2: Carver's vise mounted using 1/4" lag screws.**

## Removable Attachment

If for any reason you want to remove your vise from time to time, install threaded inserts in your bench top (see **Figure 3**). This will allow you to solidly secure the vise in place, remove and replace it often without stripping the mounting holes, and still leave a flush work surface when the vise is removed.

## Temporary Attachment

For those who want to have a very secure, but still temporary and quick-mounting option, we offer the Dog-Hole Mount Assembly (05G20.02). This kit allows you to secure the vise to a bench top through  $\frac{3}{4}$ " diameter bench dog holes (see **Figure 4**).

An even more temporary solution is to clamp the carver's vise in a bench vise (see **Figure 5**). The carver's vise can even be secured in place with a Veritas® Bench Dog and Wonder Dog. The flat sides of the base casting are ideal for these applications.

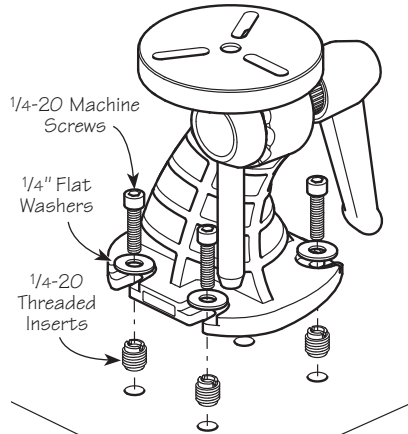
## Attaching Your Workpiece

The mounting plate has three slots sized to take #7 to #14 flat-head wood screws. To mount your workpiece, simply loosen the clamp and withdraw the mounting plate. Screw the workpiece to it, using appropriately sized screws for the work you are doing. Re-install the mounting plate into the vise, and tighten the clamp.

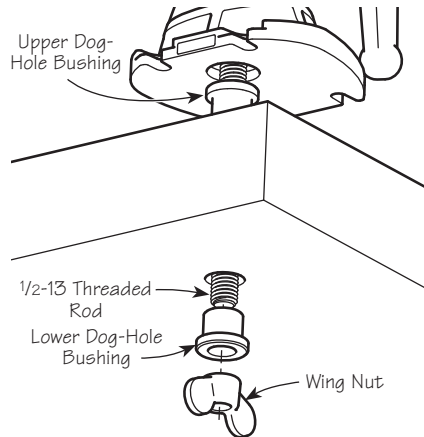
If you have several workpieces on the go at one time, or if you are working on a particularly small piece, you can use an intermediate piece of wood to mount to the plate (see **Figure 6**).

If you find that you are changing among several workpieces quite often, you may want to purchase additional mounting plates.

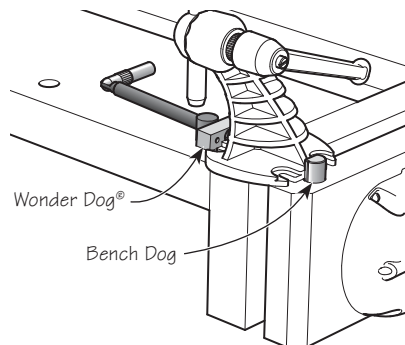
For mounting smaller pieces, such as duck heads or bird carvings, a 2" dia. mounting plate (05G20.04) is available separately.



**Figure 3: Carver's vise mounted using threaded inserts.**



**Figure 4: Carver's vise mounted using Veritas® Dog-Hole Mount Assembly.**



**Figure 5: Carver's vise mounted in bench vise with Veritas® Bench Dogs.**

Alternatively, the shaft on the mounting plate is standard 5/8" steel rod, so if you have your own custom mounting plate, the carver's vise should be able to accept it. However, do **not** clamp threaded rod in the vise as the high forces that can be applied by the clamp will damage the base casting.

## Care and Maintenance

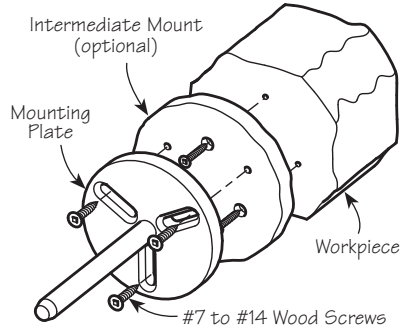
*Note: Do not tighten the clamp shaft assembly without a mounting plate in place; otherwise, the assembly may jam. Should this happen, remove the clamp shaft assembly, place it label down on a scrap piece of wood, cover the end of the screw post with another piece of wood and gently tap the end with a mallet until the sleeve releases.*

No regular maintenance is required for the carver's vise. If the tilt movement ever becomes sticky, disassemble the vise to check for, and clean out, any chips or sawdust that may have accumulated (see **Figure 7**). If you wish to reduce the force required to raise or lower the mounting plate when the clamp handle is loosened, you may apply a small amount of grease to the mounting plate shaft; however, do **not** use a petroleum-based grease as it will affect the O-ring.

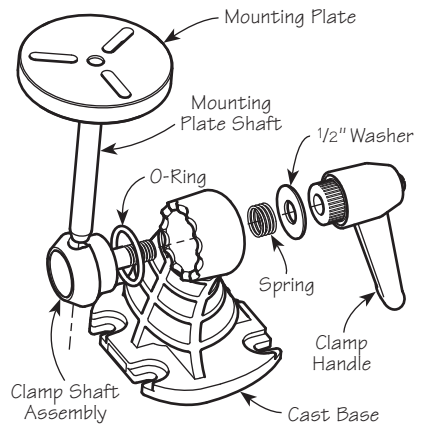
To prevent the mounting plate from rusting, apply wax or a rust inhibitor as often as necessary. Be certain that any wax you apply is free of silicones; otherwise, subsequent finishing of your workpiece may be affected.

## Accessories

- 05G20.02** Dog-Hole Mount Assembly
- 05G20.03** Spare 3 1/2" Plate with Rod
- 05G20.04** 2" Mounting Plate with Rod



**Figure 6: Mounting workpiece to mounting plate and intermediate wood mount.**



**Figure 7: Exploded assembly of the carver's vise.**